

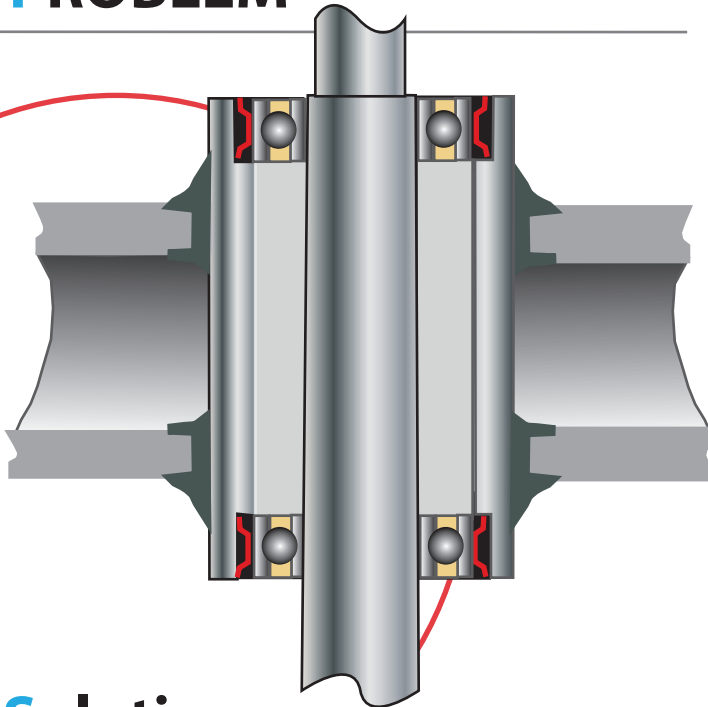
APPLICATION

Bearing in Tube

USA

CASE STUDY

PROBLEM



Distortion do to:
paint, Glue,
welding,
Dissimilar Materials

Solution

Use of a Tolerance Ring

BENEFITS

- Compensation for out of round
- Wider dimensional tolerance of mating diameters
- Infinite rotational indexing
- Compensation for thermal expansion