

370 Sullivan Way • P.O. Box 7509
West Trenton, NJ 08628-0509
Tele: (609) 882-8391
FAX: (609) 538-1110

Toll Free 1-877-TOLRING
(865-7464)

A Division of General Sullivan Group, Inc.

APPLICATION

Bearing Mount in a
Plastic Vacuum Cleaner
Motor Housing

OEM

U.S.A.

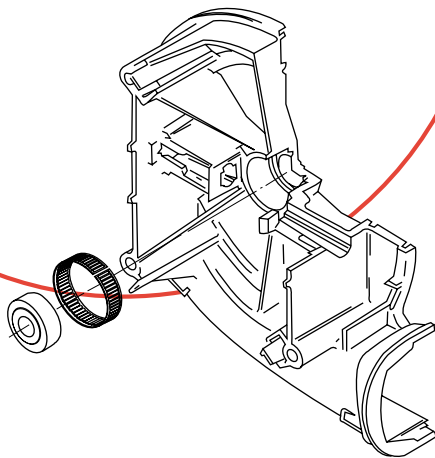
CASE STUDY

PROBLEM



Mounting the outer race of a precision ball bearing in a molded plastic housing, where retention is hampered by housing's thermal growth, slight out-of-roundness, and draft angle. At high RPM, the bearing can vibrate, shortening brush life and causing premature failure of the motor. Mounting with epoxy is messy and rubber boots may have unpredictable displacement under side loads.

SOLUTION



The USA Tolerance Ring offers a predictable spring rate that allows for retention of the bearing radially and axially on the fan end. On the commutator end, where the bearing needs to "float," a light duty tolerance ring may be used without a preload washer.

BENEFITS

Cost containment and reliability.

STATUS

Production since 1985

3/00CSP12

www.usatolerancerings.com

#12